



HCT500



Storage tank for head composition HCT 500

Charging capacity	Approx. 500 kg ready made head composition
Power required	
- Drive motor	7.5 kW
- Electrical heaters	1.5 kW
Net weight	350 kg
Gross weight	540 kg
Shipping volume	3.5 m ³

The storage tank, HCT 500, is made of high quality stainless steel and intended for storing ready made safety composition at a constant temperature (32 - 35°C) and homogeneity.

The storage tank is generally used together with the head composition machine type DBH 500 from which the composition is pumped.

Design

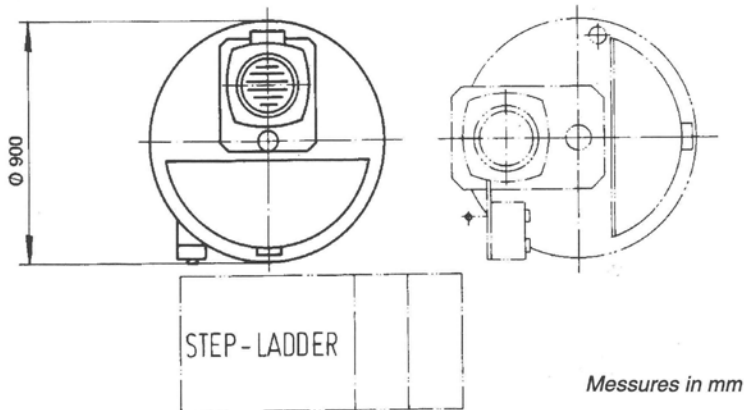
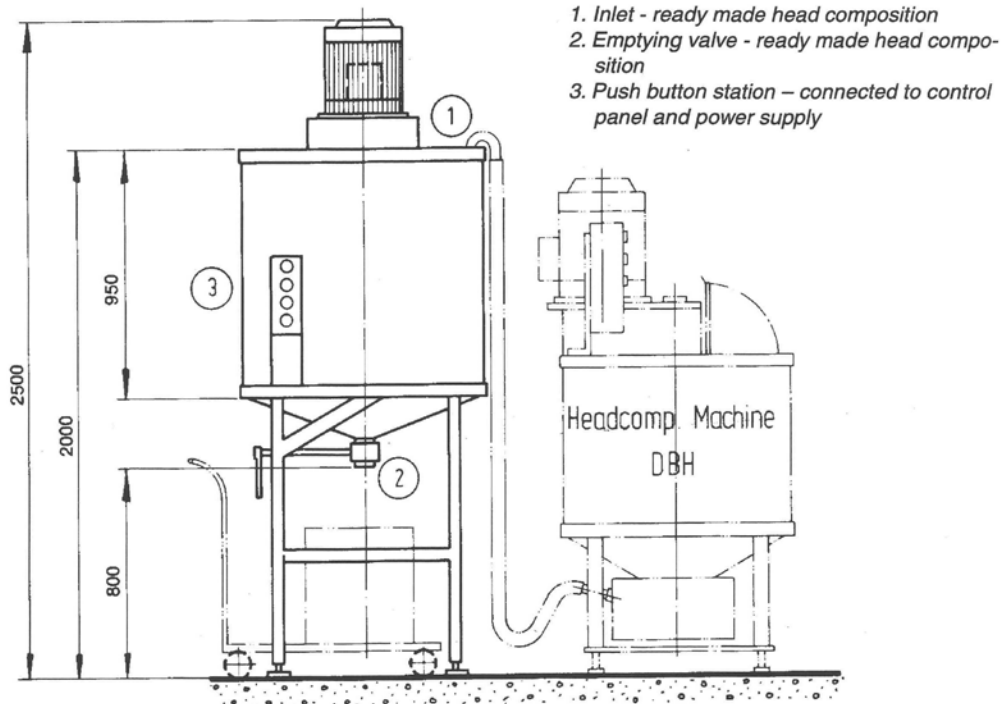
The tank is...

- provided with a stirrer for homogenizing of the composition, if required before being used
- double-jacketed and water-heated by means of three electrical immersion heaters
- thermostatically controlled

Equipment

Standard accessories delivered with the tank are...

- electrical control panel
- inter-connection cables
- temperature control
- air injection device for adjusting the density



Postal address:	Visiting address:	Phone:	Fax:	E-mail address:	Website:
Arenco AB Box 915 SE-391 29 Kalmar	Fornandergatan 1	+46 480 94500	+46 480 10034 +46 480 15911 +46 480 19104	info@arenco.com	www.arenco.com